

# MX210A



## Features

- Numerical voltage protection relay
- Undervoltage
- Overvoltage
- Phase loss
- Phase sequence
- Complies with IEC 60255 standard

## Product Description

MX210A is a voltage relay that combines overvoltage, undervoltage, phase loss, phase sequence and delay start functions.

## Technical Data

### VOLTAGE INPUT

#### 3-Phase

3 phase 4 wire voltages : 380/220V AC  
(-35% to +25%)  
Frequency range : 45 to 65Hz  
Power consumption : 3 VA maximum  
Auxiliary voltage : 18-36 V DC

### OUTPUT CONTACTS

Rated voltage : 250V AC  
Contact rating : 5A  
Expected electrical life : 100,000 operations at rated current  
Expected mechanical life :  $5 \times 10^6$  operations

### SETTING RANGES

Undervoltage : 68% - 98%  
Overvoltage : 102% - 122%  
Delay time : 0 - 30s or 0 - 30s selectable  
Nominal voltage : 380 V phase-phase

### ACCURACY

Protection thresholds :  $\pm 3\%$   
Hysteresis : 1%  
Delay time : 0-0.5s,  $\pm 15\%$ ,  
40ms minimum.  
0.5s and above,  $\pm 3\%$   
Measurements :  $\pm 3\%$

### INDICATORS

Power supply On : Green indicator  
Output On : Green indicator  
Undervoltage : Red indicator  
Overvoltage : Red indicator  
Phase error : Red indicator  
Time range : Green indicator

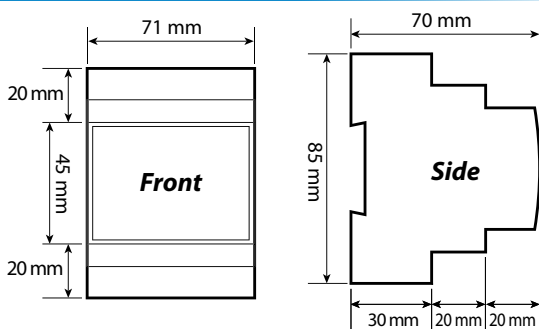
### ENVIRONMENTAL CONDITIONS

Temperature : -5°C to +55°C

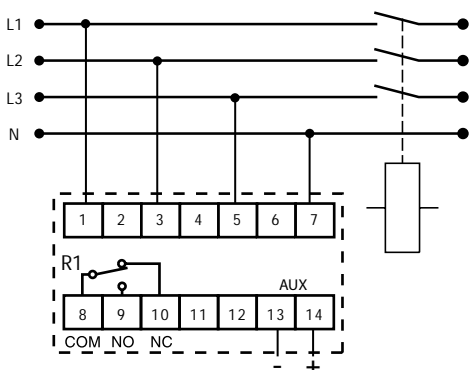
### MECHANICAL

Mounting : DIN rail  
Dimension (mm) : 71(w) x 85(h) x 70(d)  
Approximate weight : 0.1kg

## Case Dimensions

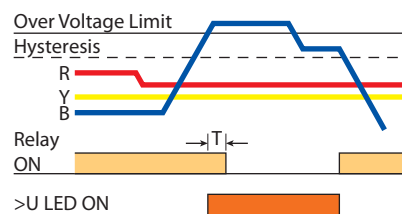


## Wiring Diagram

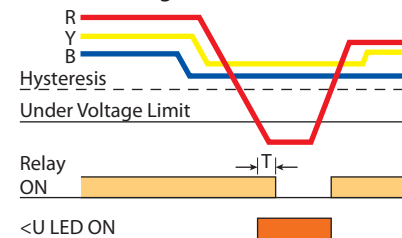


## Operations Diagram

### i) Over voltage Function



### ii) Undervoltage Function



T = Delay Time

## Ordering Information

MODEL	DESCRIPTION
MX210A-380V-AUX 24V	3-Phase 380V AC 50/60Hz AUX 24V